



<b>Engine</b>	Cummins L9
<b>Max Gross Power</b>	233 kW (313 hp / 317 ps) @ 1,700 rpm
<b>Max Net Power</b>	221 kW (296 hp / 300 ps) @ 1,700 rpm
<b>Operating Weight</b>	25,170 kg (55,490 lbs)
<b>Standard Bucket Size</b>	4.2 m <sup>3</sup> (5.5 yd <sup>3</sup> )
<b>Standard Breakout Force</b>	203 kN (45,636 lbf)
<b>Standard Dump Clearance</b>	3,151 mm (10'4")

# 877H WHEEL LOADER

# 877H SPECIFICATIONS >>>

## ENGINE

Emission Regulation	Stage V
Make	Cummins
Model	L9
Max Gross Power	233 kW (313 hp / 317 ps) @ 1,700 rpm
Max Net Power	221 kW (296 hp / 300 ps) @ 1,700 rpm
Peak Torque	1,636 N · m (1,206 lbf-ft) @ 1,100 rpm
Displacement	8.9 L (2.4 gal)
Number of Cylinders	6
Aspiration	Turbocharged & Air-to-air intercooled

## TRANSMISSION

Transmission Type	Countershaft, power shift
Torque Converter	Single stage, three elements
Maximum Travel Speed, fwd	40 km/h (24.9 mph)
Maximum Travel Speed, rev	27 km/h (16.8 mph)
Number of Speeds, fwd	5
Number of Speeds, rev	3

## AXLES

Differential Front Type	Limited slip differential
Differential Rear Type	Limited slip differential
Axle Oscillation	±12°

## STEERING

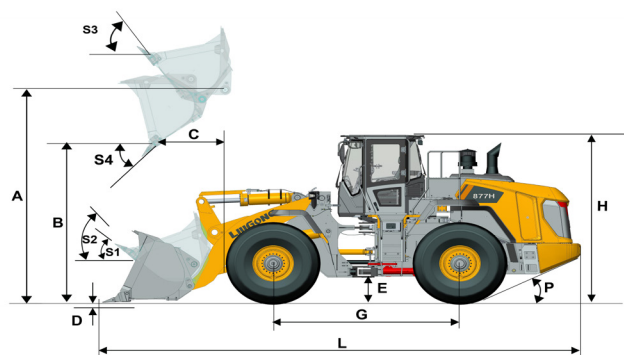
Steering Configuration	Articulated
Steering Relief Pressure	20.7 MPa (3,002 psi)

## BRAKES

Service Brake Type	Wet discs brake
Service Brake Actuation	Hydraulic
Parking Brake Type	Disc
Parking Brake Actuation	Electro-hydraulic release

## HYDRAULIC SYSTEM

Main Pump Type	Piston
Main Relief Pressure	26 MPa (3,771 psi)
Raise	5.8 s
Dump Time	1.3 s
Float Down Time	3.5 s
Fastest Total Cycle Time	10.6 s



## LOADER ARM PERFORMANCE WITH STANDARD BUCKET 4.2 m³ (5.5 yd³)

Tipping Load - Straight (ISO 14397-1:2007)	19,775 kg (43,596 lbs)
Tipping Load - Full Turn (ISO 14397-1:2007)	17,255 kg (38,041 lbs)
Bucket Breakout Force	203 kN (45,636 lbf)
A Maximum Hinge Pin Height	4,355 mm (14'3")
B Dump Clearance at Full Height Discharge	3,151 mm (10'4")
C Dump Reach at Full Height Discharge	1,309 mm (4'4")
D Maximum Digging Depth, Bucket Level	100 mm (4")
S <sub>1</sub> Bucket Rollback at Ground Level	45°
S <sub>2</sub> Bucket Rollback at Carry	49°
S <sub>3</sub> Bucket Rollback at Maximum Height	60°
S <sub>4</sub> Maximum Dump Angle at Full Height	45°

## BUCKET PERFORMANCE

Reference Bucket	4.2-8.0 m³ (5.5-10.5 yd³)
------------------	---------------------------

## DIMENSIONS

E Ground Clearance	485 mm (1'7")
G Wheelbase	3,550 mm (11'7")
H Cab Height	3,580 mm (11'8")
J Wheel Tread	2,270 mm (7'5")
K Width Over Tires	2,970 mm (9'9")
L Length with Bucket Down	9,150 mm (30')
M Turn Angle, Either Side	38°
P Rear Angle of Departure	26°
R <sub>1</sub> Turning Radius, Bucket Carry	7,400 mm (24'3")
R <sub>2</sub> Turning Radius, Outside of Tire	6,625 mm (21'9")
W Width Over Bucket	3,188 mm (10'6")

## TIRES

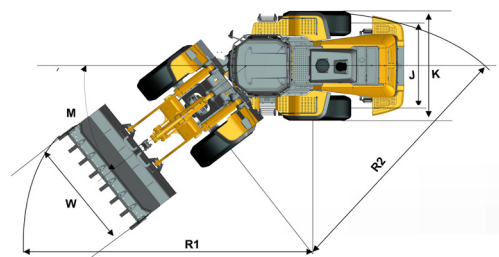
Tire Size	26.5R25
-----------	---------

## OPERATING WEIGHTS

Operating Weight	25,170 kg (55,490 lbs)
------------------	------------------------

## SERVICE CAPACITIES

Fuel Tank	420 L (111 gal)
Engine Oil	23 L (6.1 gal)
Cooling System	52 L (13.7 gal)
Hydraulic Reservoir	300 L (79.3 gal)
Transmission and Torque Converter	50 L (13.2 gal)
Axles, each	42 L (11.1 gal)
DEF Tank	49.2 L (13 gal)



Guangxi Liugong Machinery Co., Ltd.

No. 1 Liutai Road, Liuzhou, Guangxi 545007, PR China  
T: +86 772 3886124 E: overseas@liugong.com  
www.liugong.com

Specifications and designs are subject to change without notice. Machines shown may include optional equipment. Liugong standard and optional equipment may vary from region to region. Please consult your Liugong dealer for information specific to your area. Engine power kW is converted to horsepower (1 kW=1.3596 ps and 1 kW=1.3410 hp) in this file.

06/2024 Designed by LiuGong  
Replace the previous versions of 04/2024