



|                                 |                                      |
|---------------------------------|--------------------------------------|
| <b>Engine</b>                   | Cummins 6BTAA5.9-C150-II             |
| <b>Gross Power</b>              | 112 kW (150 hp / 152 ps) @ 1,950 rpm |
| <b>Net Power</b>                | 102 kW (137 hp / 139 ps) @ 1,950 rpm |
| <b>Maximum Dig Depth</b>        | 11,910 mm                            |
| <b>Standard Bucket Capacity</b> | 0.45 m <sup>3</sup>                  |
| <b>Operating Weight</b>         | 23,850 kg                            |

**922E**  
**EXCAVATOR**  
**LONG REACH ARM**

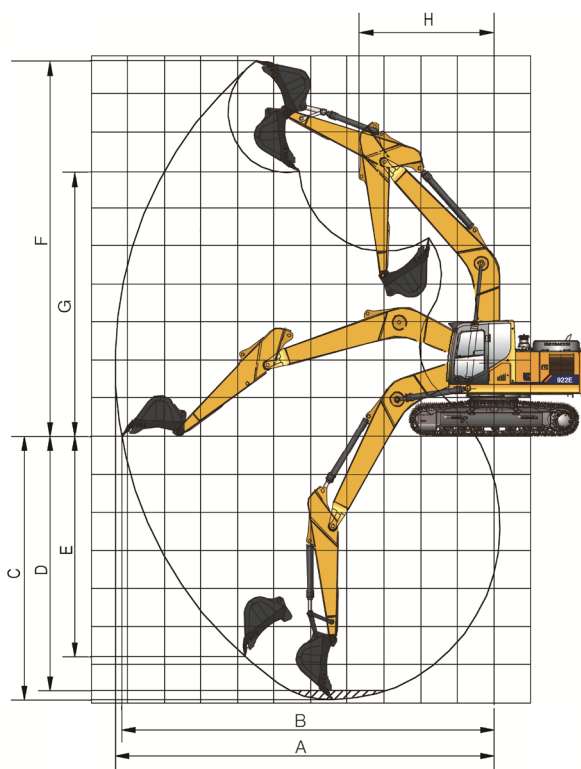
# 922E SPECIFICATIONS >>>

## ENGINE

|                     |                                      |
|---------------------|--------------------------------------|
| Emission Regulation | Tier 2 / Stage II                    |
| Manufacturer        | Cummins                              |
| Model               | 6BTAA5.9-C150-II                     |
| Gross Power         | 112 kW (150 hp / 152 ps) @ 1,950 rpm |
| Net Power           | 102 kW (137 hp / 139 ps) @ 1,950 rpm |
| Peak Torque         | 614 N·m @1,500 rpm                   |
| Number of Cylinders | 6                                    |
| Displacement        | 5.9 L                                |

## UNDERCARRIAGE

|                                   |                 |
|-----------------------------------|-----------------|
| Shoe Width                        | 800 mm / 900 mm |
| Number of Shoes per Side          | 49              |
| Number of Upper Rollers per Side  | 2               |
| Number of Bottom Rollers per Side | 8               |



## ARM & BOOM

|             |          |
|-------------|----------|
| Arm Length  | 6,400 mm |
| Boom Length | 8,500 mm |

## OPERATING WEIGHT

|                                 |           |
|---------------------------------|-----------|
| Operating Weight (800 mm shoes) | 23,850 kg |
| Operating Weight (900 mm shoes) | 24,130 kg |

## BUCKET PERFORMANCE

|                                     |                     |
|-------------------------------------|---------------------|
| Bucket Heaped Capacity (Referenced) | 0.45 m <sup>3</sup> |
|-------------------------------------|---------------------|

## TRACK DRIVE

|                      |          |
|----------------------|----------|
| Maximum Travel Speed | 5.3 km/h |
| Drawbar Pull         | 220 kN   |

## SERVICE CAPACITIES

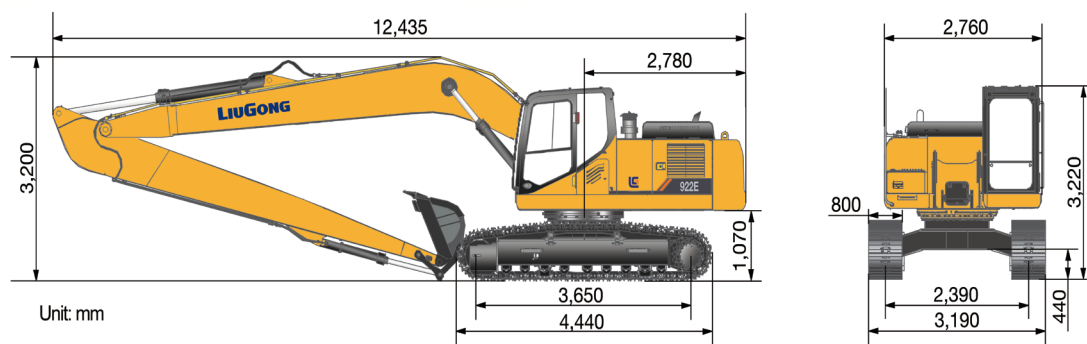
|                        |       |
|------------------------|-------|
| Fuel Tank              | 420 L |
| Engine Oil             | 25 L  |
| Cooling System         | 25 L  |
| Hydraulic Reservoir    | 210 L |
| Hydraulic System Total | 330 L |

## HYDRAULIC SYSTEM

|                        |               |
|------------------------|---------------|
| Main Pumps Total Flow  | 2 x 224 L/min |
| Relief Pressure, main  | 34.3 MPa      |
| Relief Pressure, boost | 37.3 MPa      |

## WORKING RANGE

|  |           |
|--|-----------|
| A. Max. Digging Reach                    | 15,110 mm |
| B. Max. Digging Reach on Ground          | 14,985 mm |
| C. Max. Digging Depth                    | 11,910 mm |
| D. Max. Digging Depth, 2.44 m (8') level | 11,785 mm |
| E. Max. Vertical Wall Digging Depth      | 9,065 mm  |
| F. Max. Cutting Height                   | 12,780 mm |
| G. Max. Dumping Height                   | 10,535 mm |
| H. Min. Front Swing Radius               | 4,270 mm  |
| Bucket Digging Force (ISO)               | 70 kN     |
| Arm Digging Force (ISO)                  | 55 kN     |



Guangxi Liugong Machinery Co., Ltd.

No. 1 Liutai Road, Liuzhou, Guangxi 545007, PR China  
 T: +86 772 3886124 E: overseas@liugong.com  
 www.liugong.com

12/2020 Designed by LiuGong

Specifications and designs are subject to change without notice. Machines shown may include optional equipment. LiuGong standard and optional equipment may vary from region to region. Please consult your LiuGong dealer for information specific to your area. Engine power kW is converted to horsepower (1 kW=1.3596 ps and 1 kW=1.3410 hp) in this file.