



| | |
|--------------------------------|--------------------------------------|
| Engine | Cummins QSL9.3 |
| Rated Power | 190 kW (255 hp / 258 ps) @ 2,200 rpm |
| Net Power | 190 kW (255 hp / 258 ps) @ 2,200 rpm |
| Operating Weight | 23,294 kg |
| Standard Bucket Size | 4.5 m ³ |
| Standard Breakout Force | 200 kN |
| Standard Dump Clearance | 3,105 mm |

870H MAX WHEEL LOADER

870H MAX SPECIFICATIONS >>>

ENGINE

| | |
|---------------------|---------------------------------------|
| Emission Regulation | Tier 3 / Stage IIIA |
| Manufacturer | Cummins |
| Model | QSL9.3 |
| Rated Power | 190 kW (255 hp / 258 ps) @ 2,200 rpm |
| Net Power | 190 kW (255 hp / 258 ps) @ 2,200 rpm |
| Peak Torque | 1,187 N·m @ 1,300 rpm |
| Displacement | 9.3 L |
| Number of Cylinder | 6 |
| Aspiration | Turbocharged & Air-to-air intercooled |

TRANSMISSION

| | |
|---------------------------|------------------------------|
| Transmission Type | Countershaft, power shift |
| Torque Converter | Single stage, three elements |
| Maximum Travel Speed, fwd | 36 km/h |
| Maximum Travel Speed, rev | 24.2 km/h |
| Number of Speed, fwd | 4 |
| Number of Speed, Rev | 3 |

AXLES

| | |
|-------------------------|--------------|
| Differential Front Type | Conventional |
| Differential Rear Type | Conventional |
| Axle Oscillation | ± 10° |

STEERING

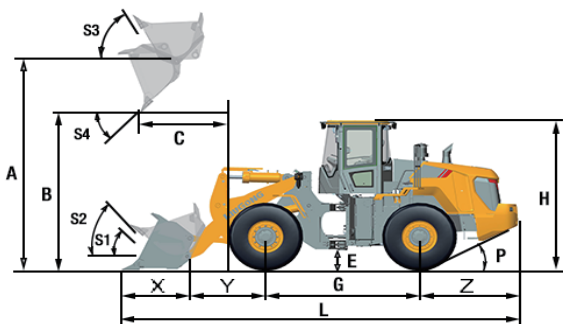
| | |
|--------------------------|-------------|
| Steering Configuration | Articulated |
| Steering Relief Pressure | 21 Mpa |

BRAKES

| | |
|-------------------------|---------------------------|
| Service Brake Type | Wet discs brake |
| Service Brake Actuation | Full hydraulic |
| Parking Brake Type | Drum |
| Parking Brake Actuation | Electro-hydraulic release |

HYDRAULIC SYSTEM

| | |
|--------------------------|--------|
| Main Pump Type | Piston |
| Main Relief Pressure | 25 Mpa |
| Raise | 5.2 s |
| Dump Time | 1.3 s |
| Float Down Time | 3 s |
| Fastest Total Cycle Time | 9.5 s |



LOADER ARM PERFORMANCE WITH STANDARD BUCKET 4.5 m³

| | |
|--|-----------|
| Tipping Load - Straight | 20,087 kg |
| Tipping Load - Full Turn | 17,166 kg |
| Bucket Breakout Force | 200 kN |
| A Maximum Hinge Pin Height | 4,460 mm |
| B Dump Clearance at Full Height Discharge | 3,105 mm |
| C Dump Reach at Full Height Discharge | 1,320 mm |
| D Maximum Digging Depth, Bucket Level | 69 mm |
| S ₁ Bucket Rollback at Ground Level | 44° |
| S ₂ Bucket Rollback at Carry | 49° |
| S ₃ Bucket Rollback at Maximum Height | 60.7° |
| S ₄ Maximum Dump Angle at Full Height | 45° |

BUCKET PERFORMANCE

| | |
|------------------|--------------------------|
| Reference Bucket | 3.0 - 7.0 m ³ |
|------------------|--------------------------|

DIMENSIONS

| | |
|--|----------|
| E Ground Clearance | 460 mm |
| G Wheelbase | 3,550 mm |
| H Cab Height | 3,550 mm |
| J Wheel Tread | 2,280 mm |
| K Width Over Tires | 2,980 mm |
| L Length with Bucket Down | 8,849 mm |
| M Turn Angle, Either Side | 38° |
| P Rear Angle of Departure | 29° |
| R ₁ Turning Radius, Bucket Carry | 7,406 mm |
| R ₂ Turning Radius, Outside of Tire | 6,650 mm |
| W Width over Bucket | 3,216 mm |

TIRES

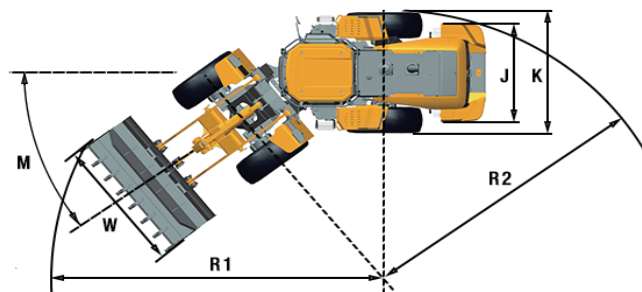
| | |
|-----------|---------------------|
| Tire Size | 26.5-25-PR28/TT L-3 |
|-----------|---------------------|

OPERATING WEIGHTS

| | |
|------------------|-----------|
| Operating Weight | 23,294 kg |
|------------------|-----------|

SERVICE CAPACITY

| | |
|-----------------------------------|-------|
| Fuel Tank | 330 L |
| Engine Oil | 28 L |
| Cooling System | 35 L |
| Hydraulic System | 295 L |
| Transmission and Torque Converter | 35 L |
| Axles, Each | 57 L |



Guangxi Liugong Machinery Co., Ltd.

No. 1 Liutai Road, Liuzhou, Guangxi 545007, PR China
 T: +86 772 3886124 E: overseas@liugong.com
 www.liugong.com

11/2024 Designed by LiuGong

Specifications and designs are subject to change without notice. Machines shown may include optional equipment. LiuGong standard and optional equipment may vary from region to region. Please consult your LiuGong dealer for information specific to your area. Engine power kW is converted to horsepower (1 kW=1.3596 ps and 1 kW=1.3410 hp) in this file.