



Engine	Cummins QSK23
Rated Power	567 kW (760 hp / 771 ps) @ 1,800 rpm
Max. Digging Depth	8,112 mm (26'5")
Standard Bucket Capacity	8.0 m ³ (11.8 yd ³)
Operating Weight	122,000 kg (268,964 lbs)

9125F EXCAVATOR

9125F SPECIFICATIONS >>>

ENGINE

Manufacturer	Cummins
Model	QSK23
Rated Power	567 kW (760 hp / 771 ps) @ 1,800 rpm
Peak Torque	3,468 N·m @ 1,500 rpm
Number of Cylinders	6
Displacement	23

UNDERCARRIAGE

Shoe Width	700 mm
Number of Shoes per Side	50
Number of Upper Rollers per Side	3
Number of Bottom Rollers per Side	8

BOOM & ARM

Boom Length	7,550 mm
Arm Length	3,400 mm

BUCKET PERFORMANCE

Std. Bucket Heaped Capacity (Referenced)	8.0 m ³
General Bucket Heaped Capacity (Optional)	7.0 / 9.0 m ³

TRACK DRIVE

Maximum Travel Speed	3.5 km/h
Drawbar Pull	710 kN

SERVICE CAPACITIES

Fuel Tank	1,520 L
Engine Oil	70 L
Cooling System	106.6 L
Hydraulic Reservoir	750 L
Hydraulic System Total	1,150 L

HYDRAULIC SYSTEM

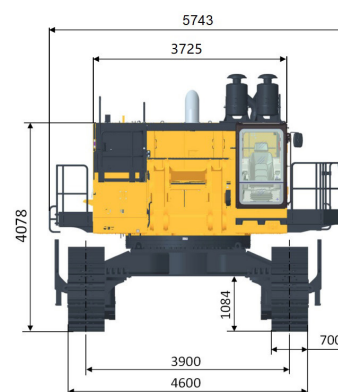
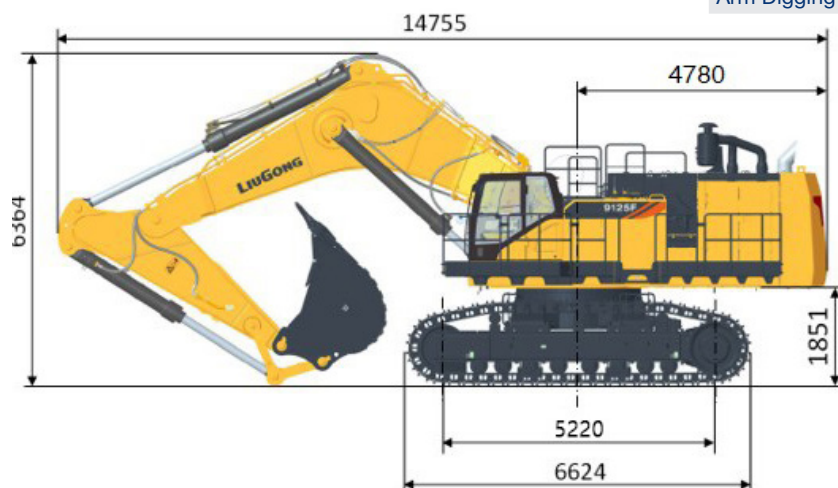
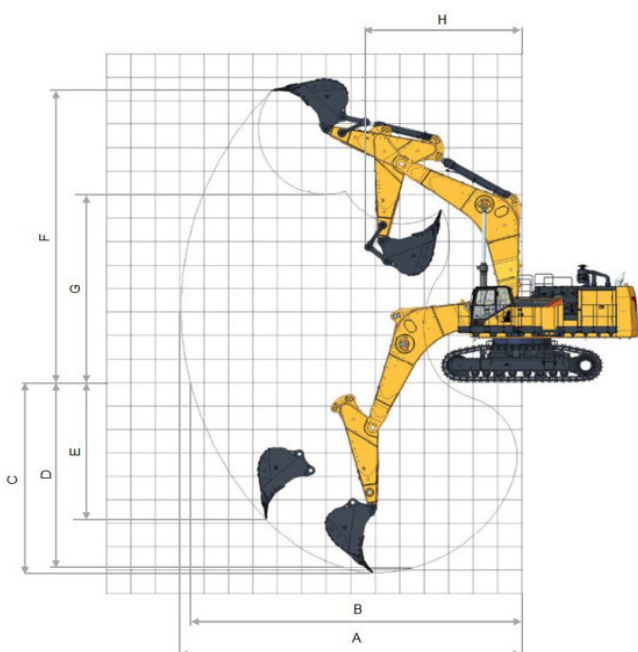
Main Pumps Total Flow	2,040 L/min
Relief Pressure, main	37 MPa
Relief Pressure, boost	37 MPa

SWING SYSTEM

Swing Speed	6.2 r/min
-------------	-----------

WORKING RANGE

A. Max. Digging Reach	13,997 mm
B. Max. Digging Reach on Ground	13,628 mm
C. Max. Digging Depth	8,112 mm
D. Max. Digging Depth, 2.5 m (8') Level	7,879 mm
E. Max. Vertical Wall Digging Depth	5,832 mm
F. Max. Cutting Height	12,595 mm
G. Max. Dumping Height	8,050 mm
H. Min. Front Swing Radius	6,489 mm
Bucket Digging Force (ISO)	610 kN
Arm Digging Force (ISO)	491 kN



Guangxi Liugong Machinery Co., Ltd.

No. 1 Liutai Road, Liuzhou, Guangxi 545007, PR China
T: +86 772 3886124 E: overseas@liugong.com
www.liugong.com

Specifications and designs are subject to change without notice. Machines shown may include optional equipment. Liugong standard and optional equipment may vary from region to region. Please consult your Liugong dealer for information specific to your area. Engine power kW is converted to horsepower (1 kW=1.3596 ps and 1 kW=1.3410 hp) in this file.

12/2024 Designed by LiuGong
Replace the previous versions of 06/2024